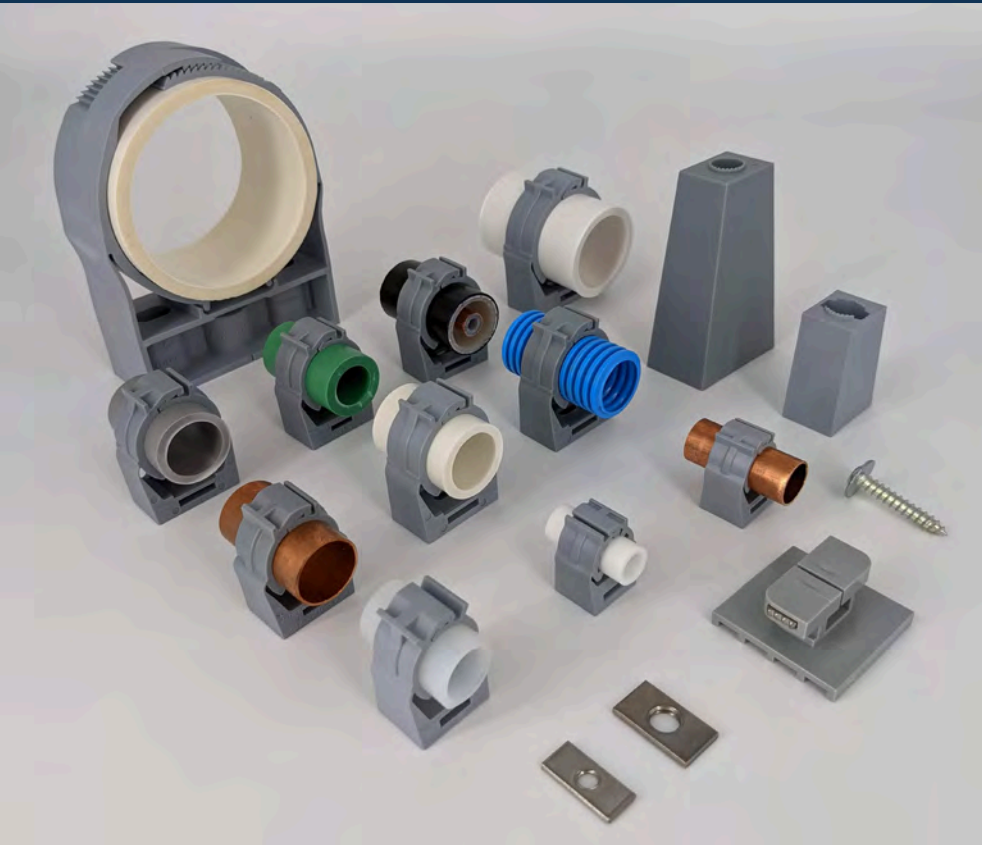


Litchfield HangerLok

Product Guide



HangerLok is a high-performance system to support pipe, tubing, conduit, cable, and more.

The HangerLok System

HangerLoks

Strutcatchers

Flanges

Spacers

Lok Screws



www.HangerLok.com

Rev.05.21



Proudly Made in the USA

Toll Free: 1-888-443-3999
Orders@HangerLok.com

HANGERLOKS

Benefits

- Non-metallic & Non-conductive
 - Corrosion resistant
 - UV resistant
 - UL 2239 approved for plenum spaces*
 - Allows for expansion and contraction of piping and conduit systems
 - Sizing from 3/8" to 4"
 - Extremely versatile when combined with HangerLok accessories
 - Installs easily and quickly with a simple "push-to-Lok," saving time and labor costs
- *UL approval currently only applies to Nylon 66 material

Applications

- General Building
- Commercial plumbing and electrical systems
- Communications systems (DAS, Radiating Cable, etc.)
- Tunnels and Transit Systems
- Utilities
- Agriculture
- Mining
- Marine
- Solar
- Data Centers
- Laboratories and Clean Rooms
- Semiconductor Facilities
- Hydronics

X88.YY-LOK

X = MATERIAL

H = Nylon 66
A = HDPE

LOK = COLOR

LOK or GRY = Grey (Standard)

*BLK = Black

*WHT = White

*Special colors available on request

Y = SIZE (IN MM)

SEE CHART BELOW

PART NUMBERING CONVENTION:

HangerLok Size	DIM A (Inches)		DIM B (Base to Clamp Center)	Plumbing & Piping		Electrical & Data	
	MIN	MAX		PVC (IPS)	COPPER & PEX (CTW)	EMT	NM Conduit
X88.12-LOK	0.47	0.56	0.72	1/4"	3/8"		
X88.15-LOK	0.59	0.66	0.73		1/2"		
X88.17-LOK	0.67	0.77	0.87	3/8"	5/8"	1/2"	
X88.20-LOK	0.79	0.87	0.97	1/2"			1/2"
X88.22-LOK	0.87	0.90	0.98		3/4"	3/4"	
X88.25-LOK	0.98	1.09	1.06	3/4"			3/4"
X88.28-LOK	1.10	1.23	1.13		1"	1"	
X88.32-LOK	1.26	1.40	1.27	1"	1-1/4"		1"
X88.36-LOK	1.42	1.56	1.35			1-1/4"	
X88.40-LOK	1.57	1.71	1.35	1-1/4"	1-1/2"		1-1/4"
X88.47-LOK	1.85	2.00	1.6	1-1/2"			1-1/2"
X88.51-LOK	2.01	2.19	1.74		2"	2"	
X88.59-LOK	2.32	2.52	1.94	2"			2"
X88.71-LOK	2.80	3.15	2.72	2-1/2"	3"	2-1/2"	2-1/2"
X88.80-LOK	3.15	3.54		3"		3"	3"
X88.101-LOK				3-1/2"	3-1/2"-4"	3-1/2"	3-1/2"
X88.113-LOK	4.45	5.00		4"		4"	4"

Compatible with all Pipe, Tubing, Conduit, and Cable Systems:

- Copper tubing
- Pex Tubing
- PVC Schedule 40/80
- CPVC
- PP Pipe
- Stainless Steel Tubing
- PVDF
- Iron Pipe
- Electrical Conduit (Metallic and Non-Metallic)
- Armored Cable
- Wire & Cable
- Radiax
- RF & Low Voltage
- Structured Cable
- And More...

HangerLoks can be mounted to all types of surfaces using proprietary and generic fastener options. Installation options include, but are not limited to:



Wood



Steel



Concrete



Masonry



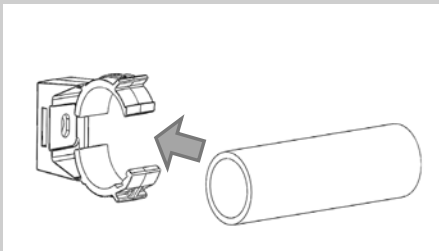
Strut



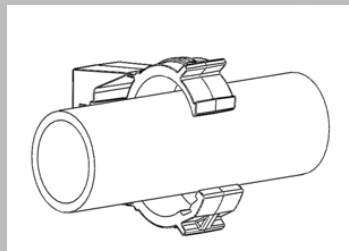
Threaded Rod

And More...

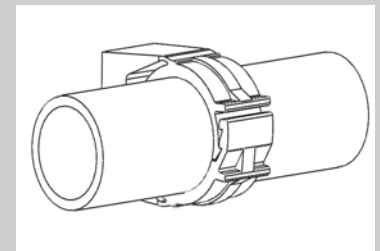
HOW IT WORKS



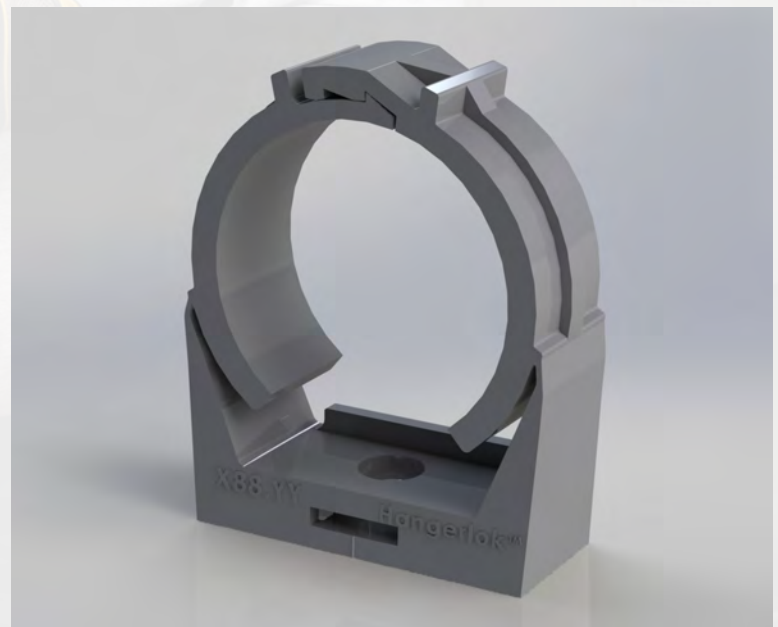
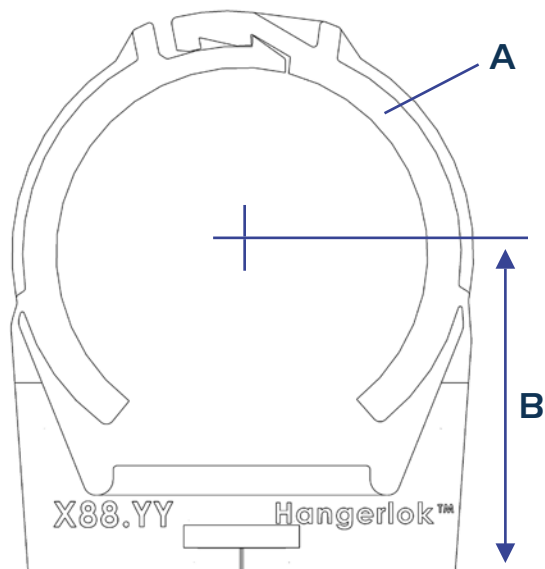
Mount HangerLok to surface



Insert cable, tube, or pipe



Push-to-Lok



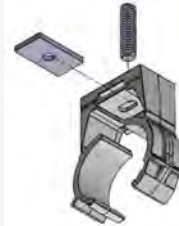
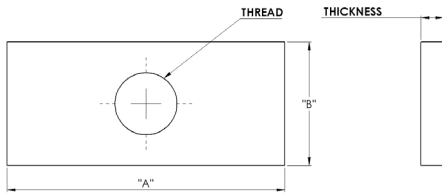
Flanges

Flanges are used to adapt HangerLoks to threaded rod, or any other threaded fastener system.

Material: Corrosion resistant 304 stainless steel.



Part Number	HangerLok Sizes	Thread	Dim "A"	Dim "B"	Thickness
F1225-14	#12 - #25	1/4 - 20	0.90"	0.40"	0.08"
F2859-14	#28 - #59	1/4 - 20	0.97"	0.55"	0.09"
F2859-38	#28 - #59	3/8 - 16	0.97"	0.55"	0.09"
F71113-38	#71 - #113	3/8 - 16	1.00"	1.00"	0.18"



Strutcatcher

Makes installation onto strut fast, convenient, and repeatable, saving time and money.



Part Number	For Use With	QTY Needed Per Hanger
LT109	#12 - #59 HangerLok	1
	#71 - #113 HangerLok	2

1.

Insert Strutcatcher into strut

2.

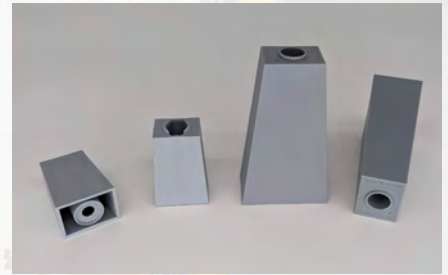
Rotate Strutcatcher 90 degrees to lock into position

3.

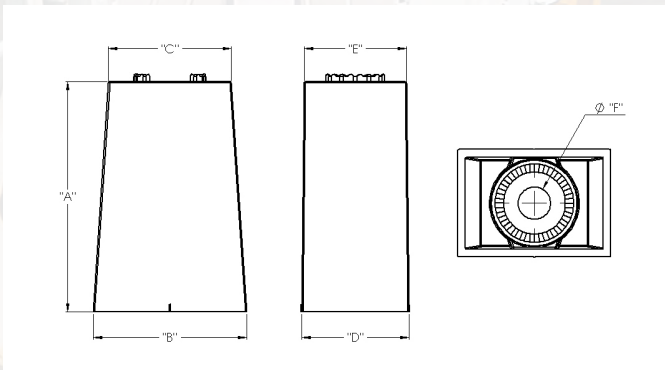
Install HangerLok onto Strutcatcher with screw. Installation of screw locks Strutcatcher into position

Spacers

For use with #12 to #59 HangerLoks.



Part Number	Dim "A"	Dim "B"	Dim "C"	Dim "D"	Dim "E"	Dia. "F"
LT88-45	1.77"	1.18"	0.95"	0.83"	0.79"	0.25"
LT88-85	3.35"	1.97"	1.18"	1.18"	0.91"	0.47"



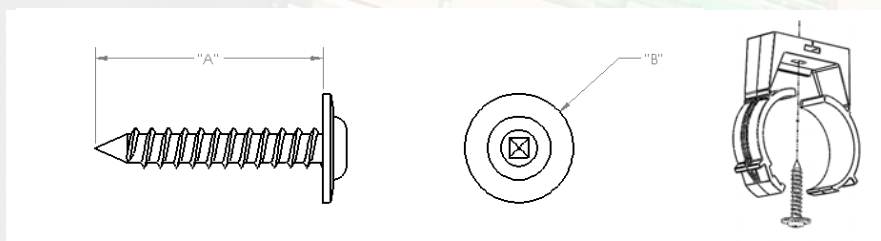
Lok Screws

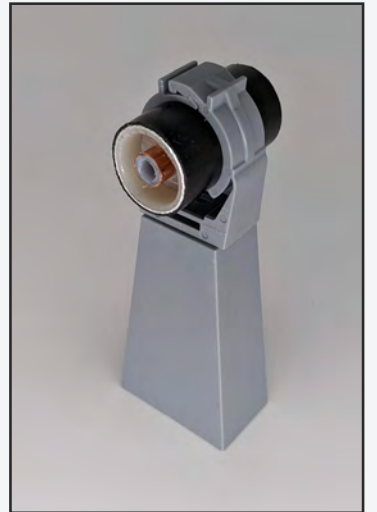
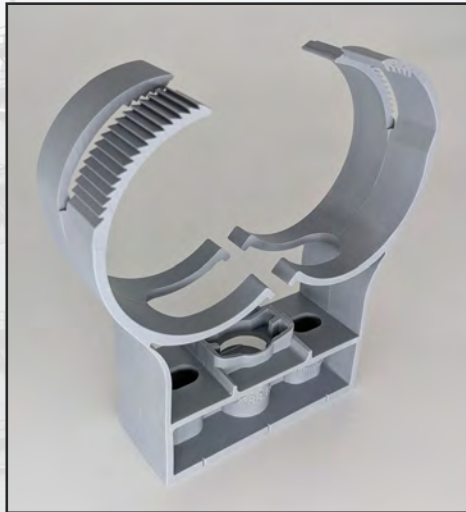
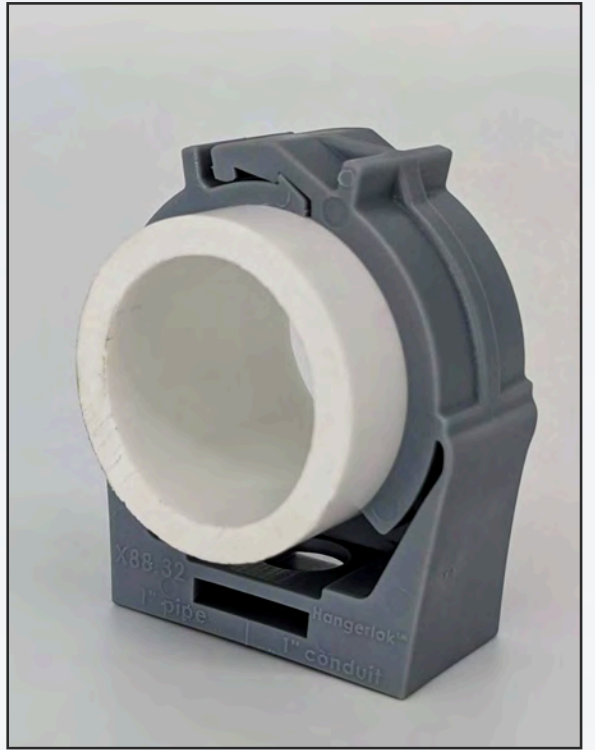
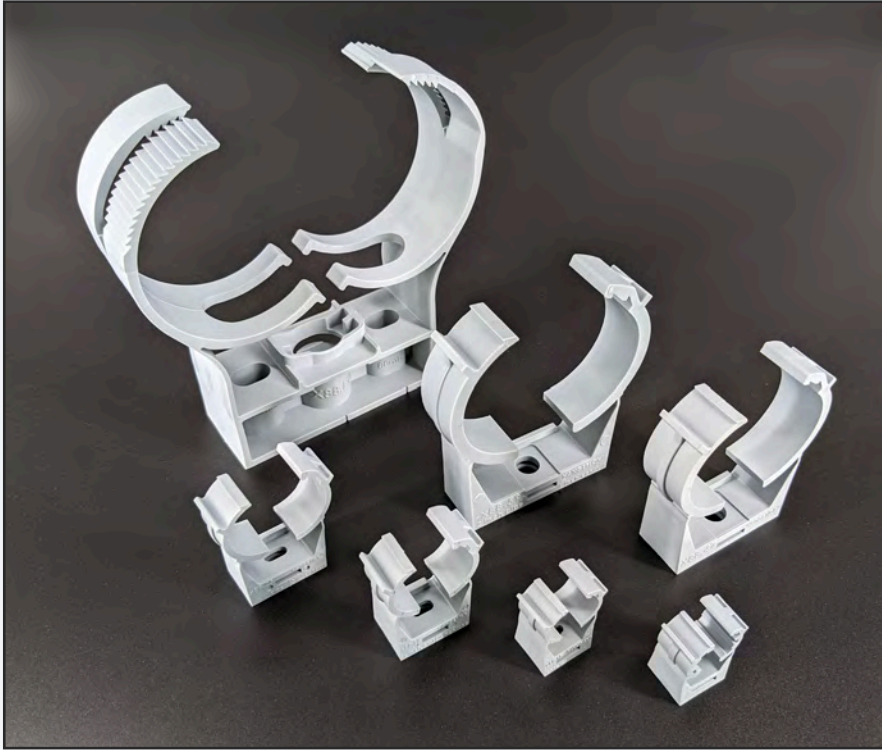
HangerLoks can be installed with standard #10 - #12 screws and washers. Our custom Lok Screws incorporate a wider head, eliminating the need for a washer and saving time and money.



Part Number	HangerLok Sizes	Finish	Dim "A"	Dim "B"
S1228-GP	#12 - #28	Zinc Plated	1.25"	0.42"
S3259-GP	#32 - #59	Zinc Plated	1.25"	0.60"
S3259-CR	#32 - #59	Corrosion Resistant	1.25"	0.60"

S3259-XX Screws use a #2 square bit drive (included)







Litchfield HangerLok

About Us

Since 1984, Litchfield International has been supporting the plumbing, electrical, communications, and industrial markets with the first Push-to-Lok thermoplastic support hangers. HangerLok was developed in 2010 to take that expertise to the next level.

We are located in Portsmouth, New Hampshire, and all of our products are made in the USA.

For ordering and technical information, applications, or general inquiries, please contact us!

Contact

Mailing Address:
170 West Road, Suite 3
Portsmouth, NH 03801

Tel: (888) 443-3999
Email: Orders@HangerLok.com

Samples Available Upon Request!